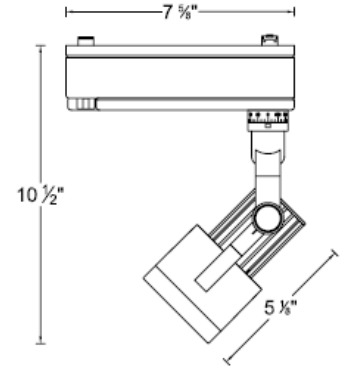
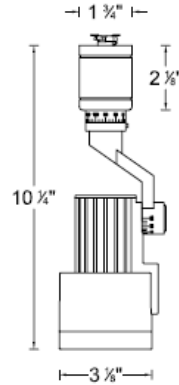


CATALOG NUMBER	TYPE
PROJECT	

277V HALIDE TRACK HEADS

SERIES HID 210



Ordering Matrix		
Model	Wattage	Finish
[]	[]	[]
JTK-HID210	20E =20W 39E =39W	BK = Black WT = White PT = Platinum

Ordering Example (model -wattage- finish) :WHK-HID210-39E-WT

Product Details

Description: HID Metal Halide track head using ES16 Brite Spot® lamps. Designed for use on W2 tracks. Adaptable to other manufacturer's track. (Consult factory for specific brands).

Materials: Die-cast aluminum fixture, cap ring and check ring. Clear 1/8 inch tempered glass lens included.

Ballast:	<u>20W</u>	<u>35W</u>
(Advance)	ANSI # : M156	M130
	Line Current : 0.20A	0.38A
	Input Power : 23W	45W
	Input Voltage : 120V	120V
	Power Factor : > 90%	> 90%
	Sound Rating : A	A

End of Lamp life detection and shut down circuit.

Socket: Ceramic HID GX10

Aiming: 350° horizontal rotation and 90° vertical aiming with indexing scales. Spring loaded buttons lock to secure the aiming adjustment on horizontal and vertical axis.

Lamping: Re-lamps from the front using ES16 lamps, 20W or 39W as specified on the fixture. Lamp not included.

Finish: Powder coat paint finish.
 Available in Black (BK), White (WT), Platinum (PT).

Listing: UL & CUL Listed. Patent Pending.

Specification Features

- Die-cast aluminum fixture with integral indexing scales to assure precise directional adjustment.
- Threaded lens cap holds up to 4 lenses and accessories securely.
- The track head utilizes the second circuit on the J2 style track with the use of the JCLIP.
- The track head may be used on W2 style track with the use of CV-2T-MH (for 120V).
- 5 year product warranty..

Track Adaptor Information

Standard Adaptor
For J style
W2 & W.A.C track



J2 Adaptor
For J2 style
W2 & W.A.C track



JCLIP
Ordered when using track
heads on 2nd circuit of J2



Converter Information

CV-2T-MH On 120V W2 style track



Compatible Accessories –USE SIZE 20

• **Dichroic Lens**
LENS-20-DIC-COLOR

• **UV Filter**
LENS-20-UVF

• **IR Filter**
LENS-20-IR

• **UV- IR Filter**
LENS-20-UI

• **Beam Elongator**
LENS-20-BEL

• **Beam Soft/Beam Spread Lens**
LENS-20-BSL / LENS-20-SPR

• **Block Screen**
LENS-20-3-BS/ LENS-20-4-BS/ LENS-20-5-BS

• **Hood (for wall-washing)**
HOOD-20-BK

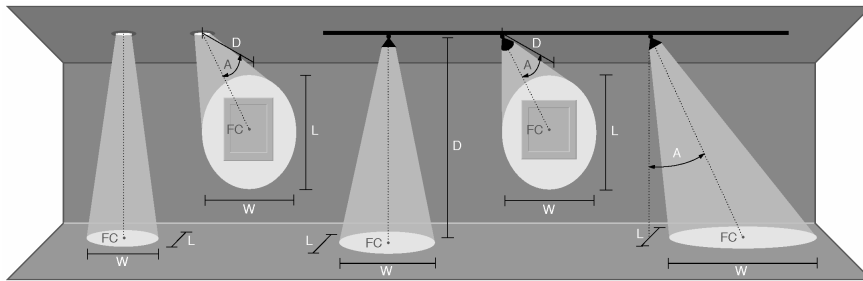
• **Cross Louver**
LENS-202-CRL

• **Snoot**
LENS-20-SNOOT

• **Honeycomb Louver**
LENS-202-HCL

• **Barn Door**
TL-20-BD

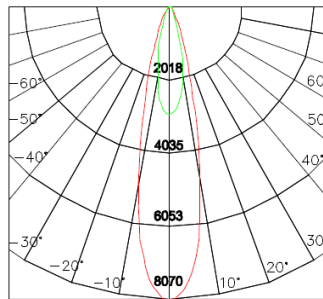
Photometry



D Distance To Fixture From Wall Or Floor
FC Initial Footcandle Level At Center Of Beam
L Beam Length (where candlepower drops to 50% of maximum)
W Beam Width (where candlepower drops to 50% of maximum)

20W HID MR16 FL (24 DEG)				
0° Aiming Angle				
D(ft)	FC	W	L	
6	83	2.7	2.7	
9	37	4.0	4.0	
12	21	5.3	5.3	
15	13	6.7	6.7	
45° Aiming Angle				
D(ft)	FC	W	L	
6	29	5.6	3.8	
9	13	8.4	5.6	
12	7	11.2	7.5	
15	5	14.0	9.4	

39W ES16 (24 DEG)				
0° Aiming Angle				
D(ft)	FC	W	L	
6	224	2.6	2.6	
9	100	3.8	3.8	
12	56	5.1	5.1	
15	36	6.4	6.4	
45° Aiming Angle				
D(ft)	FC	W	L	
6	79	5.3	3.6	
9	35	8.0	5.4	
12	20	10.7	7.2	
15	13	13.4	9.0	

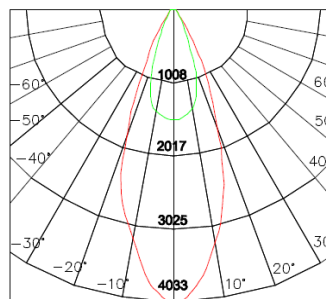


— 20W CBCP 2980
— 39W CBCP 8070

39W ES16 (60 DEG)				
0° Aiming Angle				
D(ft)	FC	W	L	
6	21	6.9	6.9	
9	9	10.4	10.4	
12	5	13.9	13.9	
15	3	17.3	17.3	
45° Aiming Angle				
D(ft)	FC	W	L	
6	7	20.8	9.8	
9	3	31.2	14.7	
12	2	41.6	19.6	
15	1	52.0	24.5	

20W HID MR16 WFL (38 DEG)				
0° Aiming Angle				
D(ft)	FC	W	L	
6	42	4.4	4.4	
9	19	6.6	6.6	
12	11	8.7	8.7	
15	7	10.9	10.9	
45° Aiming Angle				
D(ft)	FC	W	L	
6	15	10.1	6.2	
9	7	15.1	9.3	
12	4	20.1	12.4	
15	2	25.2	15.4	

39W ES16 (38 DEG)				
0° Aiming Angle				
D(ft)	FC	W	L	
6	112	4.1	4.1	
9	50	6.2	6.2	
12	28	8.3	8.3	
15	18	10.3	10.3	
45° Aiming Angle				
D(ft)	FC	W	L	
6	40	9.4	5.8	
9	18	14.1	8.8	
12	10	18.8	11.7	
15	6	23.4	14.6	



— 20W CBCP 1512
— 39W CBCP 4033

